



LN Silent

Rule noise,
perform power.





LN Silent

Comfort and reliability at your fingertips

The LN SILENT ranges perfectly embody ABAC Air Compressors way to do things: always committed to accomplishing customers' needs.

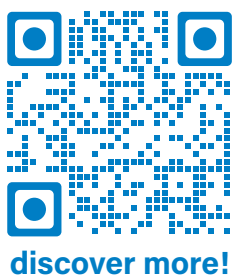
Are you looking for a reliable partner dedicated to high-grade welding sessions, high pressure cleaning tasks or heavy paint spraying jobs? Please take a seat, you are in the right place: this range of stationary piston air compressors can help you in fulfilling the most demanding aims.

Regardless whether your field of application is a semi-professional, professional or industrial one, with ABAC LN SILENT air compressors you are choosing to rely on sound-efficient, high performance machines. New, multiple configurations make these stationary air compressors series proficient when it comes to both intensive and light, repeated uses.

What makes the new LN SILENT your best option?

The LN SILENT series are designed for those seeking flexible and easy-to-use solutions without overlooking power and efficiency. The new canopy relies on the synergy of a metal layer and thick insulating foam, ruling against noise. In other words, you can freely decide to place the air compressor wherever is practical and don't need to make a space fully dedicated to it.

LN SILENT powerful pump(s) – up to 15 bars of pressure – and core elements are enclosed, yet easily reachable thanks to the smartly designed canopy. The complete opening allows quick maintenance operations and results in effective interventions. Moreover, routine setups and configurations can be handily sorted out through the insightfully organized, external panel control.



KEY ELEMENTS



Noise reduction

Low speed pumps, optimized air flow and integrated air buffer to avoid air pulsation in the vessel.



High performances

Twin stage technology introduction to provide higher volumetric efficiency than single stage.



Extra reliability

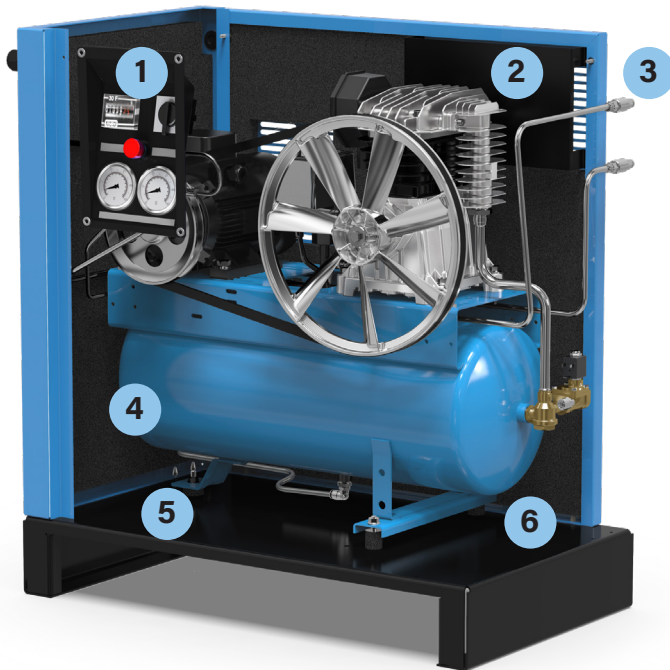
Optimized cooling air flow and less wear of pump components because of low RPM pumps.

LN SILENT

Canopy S0

2-3 HP

Integrated vessel 27l.



1. Use-friendly, easy to use interface

Control panel with pressure regulator, pressure gauges (tank pressure and working pressure) and hour counter

2. Lower noise level

Cooling air flow optimized to reduce noise

3. Easy to use

Double air outlet with quick connections integrated in the canopy

4. More air in a compact design

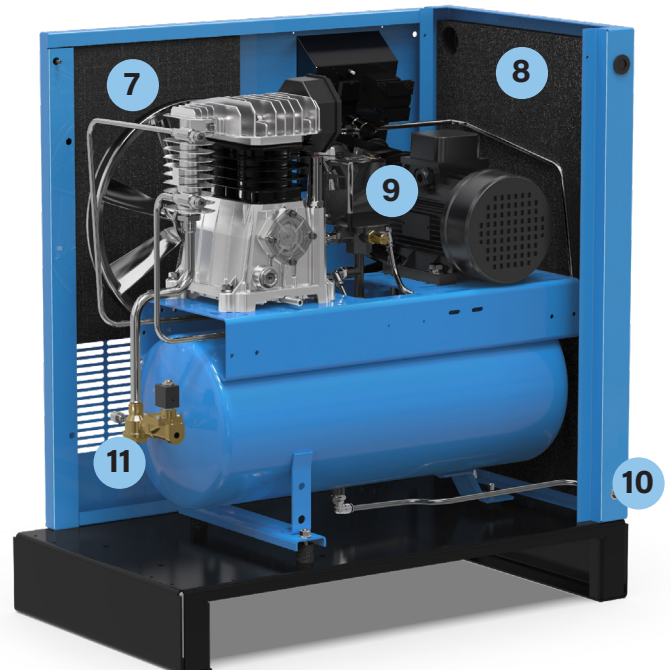
Integrated air tank 27l

5. Lower noise level

Antivibration pads

6. Easy access to service

Dismountable front and back panels



7. Compact and efficient machine cooling

Big multiblade flywheel play role of main fan

8. Lower noise level

Noise insulating foam on all canopy panels

9. Reliability and long lifetime

Pressure switch

10. Easy to drain vessel

Condensate drain valve on the external panel

11. Longer life of pump and transmission components

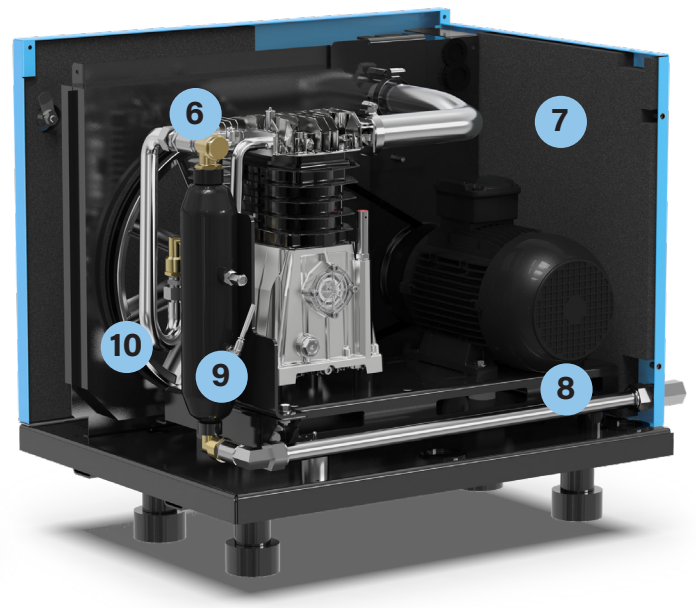
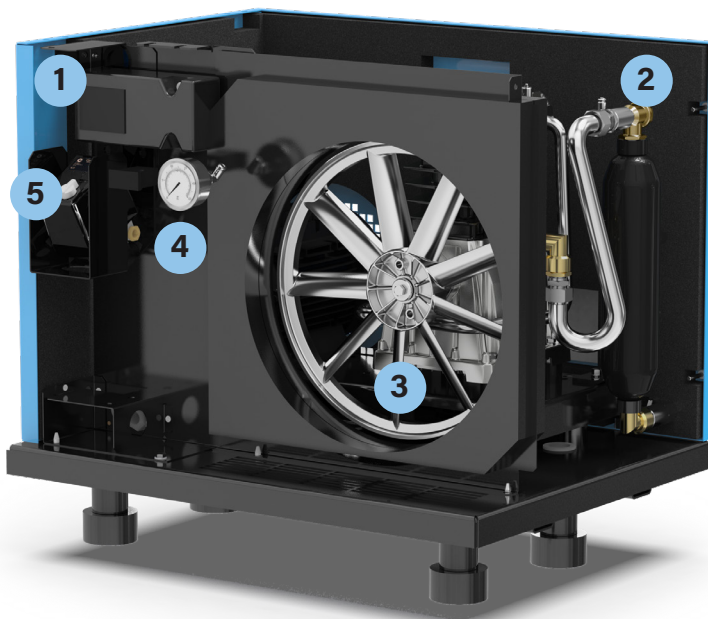
Electro valve for the head discharge

LN SILENT

Canopy S1

3-5,5 HP

Base and tank mount, DOL



1. Higher performance, easy to service

Air filter in cool and easy accessible area

2. Lower noise level

Noise insulating foam on all canopy panels

3. Reliability in any conditions

Efficient cooling system using large flywheel

4. Easy to read

Pressure gauge on the front panel, at ergonomic level

5. Reliability and long lifetime

Pressure switch

6. Longer life of pump and transmission components

Non return valve to depressurize head

7. Easy access to internal components

Removable panels for easy maintenance

8. Lower noise level

Antivibration pads

9. Lower noise level

Air damper

10. Higher performance

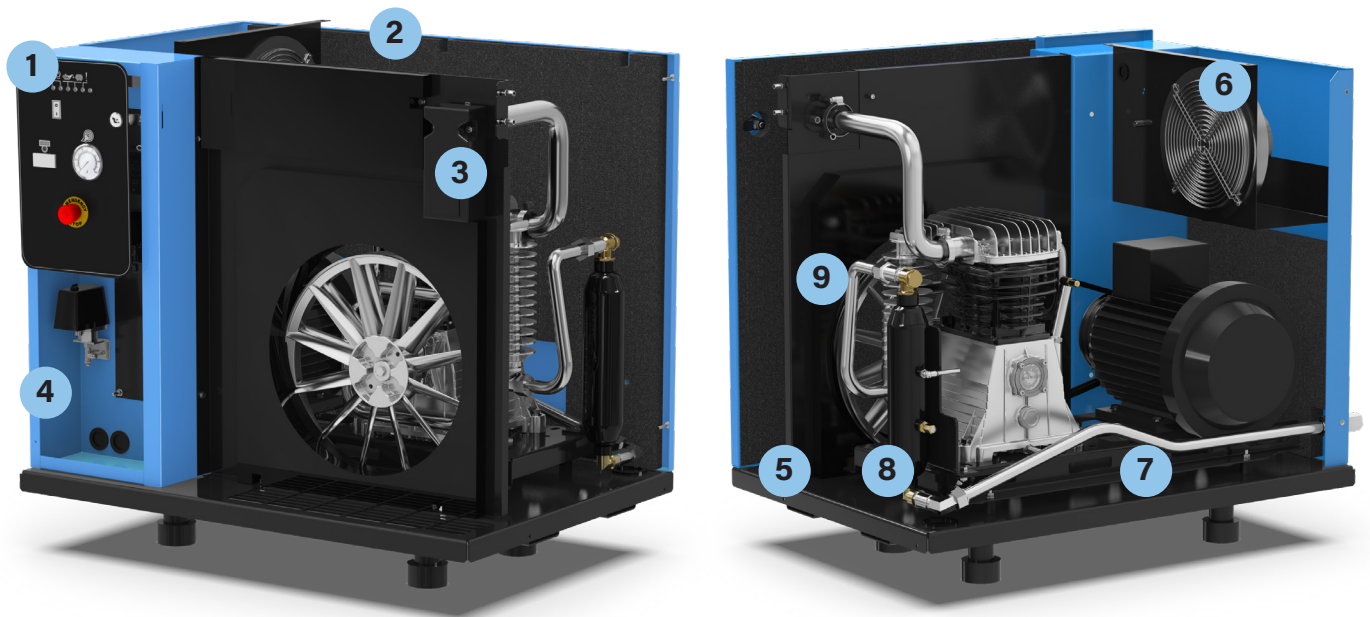
Intercooler and aftercooler

LN SILENT

Canopy S2

5,5-10 HP

Integrated cubicle, dryer, cooling fan, DOL and YD



1. Control with hour counter, pressure gauge and light indicators:

Power ON/OFF
Load / Unload
Overload alarm
SBE emergency

2. Lower noise level

Noise insulating foam on all canopy panels

3. Higher performance, easy to service

Encapsulated air filter in cool and easy accessible area

4. Easy access to cubicle and motor

Hinged cubicle

5. Easy access to internal components

Removable panels for easy maintenance

6. Optimal working temperature in circumstances, independently from air consumption

Dedicated ventilation fan for better cooling. It is controlled by thermostat, so can run when main motor is OFF.

7. Simple belt tensioning

Belt tensioning sliders

8. Lower noise level

Air damper

9. Lower outlet air temperature

Long aftercooler pipe

The Silent Piston Air Compressor

LN Silent

Off the shelf solutions for your business needs. Hit the target every day.

Choose between multiple configurations.



Model	Part number	Canopy size	L	config.	l/min	Oil	Pump	HP	kW	rpm	Volts	Bar	dB(A)	L x W x H (mm)	kg	Price
LN1 A39B 0 T4 DOL	4116026050	S1	0	F	490	Lubricated	A39B	4	3	1300	400/3/50	10	68	750x 580x761	170	
LN1 A49B 0 T4 DOL	4116026049	S1	0	F	553	Lubricated	A49B	4	3	1300	400/3/50	11	69	750x 580x761	170	
LN1 A49B 0 T5,5 DOL	4116026053	S1	0	F	598	Lubricated	A49B	5,5	4	1400	400/3/50	11	69	750x 580x 761	170	
LN1 B5900 0 T5,5 DOL	4116026059	S1	0	F	570	Lubricated	B5900B	5,5	4	1200	400/3/50	11	67	750x 580x 761	170	
LN2 A49B 0 T4 DOL	4116026000	S2	0	F	553	Lubricated	A49B	4	3	1300	400/3/50	11	69	1000x 738x 955	170	
LN2 B5900 0 T5,5 DOL	4116026002	S2	0	F	570	Lubricated	B5900B	5,5	4	1200	400/3/50	11	67	1000x 738x 955	177	
LN2 B5900 0 T5,5 YD	4116026003	S2	0	F	570	Lubricated	B5900B	5,5	4	1200	400/3/50	11	67	1000x 738x 955	181	
LN2 B5900 0 T5,5 DOL MEPS	4116026004	S2	0	F	570	Lubricated	B5900B	5,5	4	1200	400/3/50	11	67	1000x 738x 955	177	
LN2 B6000 0 T7,5 DOL	4116026011	S2	0	F	660	Lubricated	B6000	7,5	5,5	1150	400/3/50	11	68	1000x 738x 955	240	
LN2 B6000 0 T7,5 YD	4116026012	S2	0	F	660	Lubricated	B6000	7,5	5,5	1150	400/3/50	11	68	1000x 738x 955	240	
LN2 B6000 0 T7,5 DOL 10B	4116026013	S2	0	F	660	Lubricated	B6000	7,5	5,5	1150	400/3/50	10	68	1000x 738x 955	240	
LN2 B6000 0 T7,5 DOL MEPS	4116026014	S2	0	F	660	Lubricated	B6000	7,5	5,5	1150	400/3/50	12	68	1000x 738x 955	240	
LN2 B7000 0 T10 DOL	4116026019	S2	0	F	1070	Lubricated	B7000	10	7,5	1150	400/3/50	11	68	1000x 738x 955	253	
LN2 B7000 0 T10 YD	4116026020	S2	0	F	1070	Lubricated	B7000	10	7,5	1150	400/3/50	11	68	1000x 738x 955	253	
LN2 B7000 0 T10 DOL MEPS	4116026021	S2	0	F	1070	Lubricated	B7000	10	7,5	1150	400/3/50	15	68	1000x 738x 955	253	
LN2 B7000 0 T10 YD 10B	4116026022	S2	0	F	1070	Lubricated	B7000	10	7,5	1150	400/3/50	10	68	1000x 738x 955	253	
LN0 A29 27 M2 DOL	4116026077	S0	27	F	255	Lubricated	A29	2	1,5	1075	230/1/50	10	61	761x 430x845	86	
LN0 A29 27 T2 DOL	4116026328	S0	27	F	255	Lubricated	A29	2	1,5	1075	400/3/50	10	61	761x 430x845	86	
LN0 A29B 27 M3 DOL	4116026329	S0	27	F	320	Lubricated	A29B	3	2,2	1350	230/1/50	10	62	761x 430x845	87	
LN0 A29B 27 T3 DOL	4116026330	S0	27	F	320	Lubricated	A29B	3	2,2	1350	400/3/50	10	62	761x 430x845	87	
LN0 A29B 27 M3 DOL MEPS	4116026331	S0	27	F	320	Lubricated	A29B	3	2,2	1350	230/1/60	10	62	761x 430x845	87	

LN SILENT

Noise reduction means flexibility of use



Model	Part number	Canopy size	L	config.	l/min	Oil	Pump	HP	kW	rpm	Volts	Bar	dB(A)	L x W x H (mm)	kg	Price
LN1 A39B 100 M3 DOL	4116026392	S1	100	F	393	Lubrificato	A39B	3	2,2	1050	230/1/50	10	65	1067x580x1060	180	
LN1 A39B 100 T3 DOL	4116026393	S1	100	F	393	Lubrificato	A39B	3	2,2	1050	230/1/50	10	65	1067x580x1060	180	
LN1 A39B 270 M3 DOL	4116026047	S1	270	F	393	Lubricated	A39B	3	2,2	1050	230/1/50	10	65	1522x 580x1242	248	
LN1 A39B 270 T3 DOL	4116026048	S1	270	F	393	Lubricated	A39B	3	2,2	1050	400/3/50	10	65	1522x 580x1242	248	
LN1 A39B 270 T4 DOL	4116026052	S1	270	F	490	Lubricated	A39B	4	3	1300	400/3/50	10	68	1522x 580x1242	248	
LN1 A49B 270 T4 DOL	4116026051	S1	270	F	553	Lubricated	A49B	4	3	1300	400/3/50	11	69	1522x 580x 1242	248	
LN1 A49B 270 T5,5 DOL	4116026055	S1	270	F	598	Lubricated	A49B	5,5	4	1400	400/3/50	11	69	1522x 580x 1242	248	
LN1 B5900 270 T5,5 DOL	4116026060	S1	270	F	570	Lubricated	B5900B	5,5	4	1200	400/3/50	11	67	1522x 580x 1242	248	
LN2 A49B 270 T4 DOL	4116026001	S2	270	F	553	Lubricated	A49B	4	3	1300	400/3/50	11	69	1516x 738x 1513	238	
LN2 B5900 270 T5,5 DOL	4116026005	S2	270	F	570	Lubricated	B5900B	5,5	4	1200	400/3/50	11	67	1516x 738x 1513	153	
LN2 B5900 270 T5,5 YD	4116026006	S2	270	F	570	Lubricated	B5900B	5,5	4	1200	400/3/50	11	67	1516x 738x 1513	252	
LN1 A49B 500 T5,5 DOL	4116026057	S1	500	F	598	Lubricated	A49B	5,5	4	1400	400/3/50	11	69	1937x 580x 1348	274	
LN1 B5900 500 T5,5 DOL	4116026061	S1	500	F	570	Lubricated	B5900B	5,5	4	1200	400/3/50	11	67	1937x 580x 1348	274	
LN2 B5900 500 T5,5 DOL	4116026007	S2	500	F	570	Lubricated	B5900B	5,5	4	1200	400/3/50	11	67	1943x 738x 1593	302	
LN2 B5900 500 T5,5 YD	4116026008	S2	500	F	570	Lubricated	B5900B	5,5	4	1200	400/3/50	11	67	1943x 738x 1593	306	
LN2 B5900 500 T5,5 DOL DRY	4116026009	S2	500	F	570	Lubricated	B5900B	5,5	4	1200	400/3/50	11	67	1943x 738x 1593	302	
LN2 B5900 500 T5,5 YD DRY	4116026010	S2	500	F	570	Lubricated	B5900B	5,5	4	1200	400/3/50	11	67	1943x 738x 1593	306	
LN2 B6000 500 T7,5 DOL	4116026015	S2	500	F	660	Lubricated	B6000	7,5	5,5	1150	400/3/50	11	68	1943x 738x 1593	404	
LN2 B6000 500 T7,5 YD	4116026016	S2	500	F	660	Lubricated	B6000	7,5	5,5	1150	400/3/50	11	68	1943x 738x 1593	404	
LN2 B6000 500 T7,5 DOL DRY	4116026017	S2	500	F	660	Lubricated	B6000	7,5	5,5	1150	400/3/50	11	68	1943x 738x 1593	404	
LN2 B6000 500 T7,5 YD DRY	4116026018	S2	500	F	660	Lubricated	B6000	7,5	5,5	1150	400/3/50	11	68	1943x 738x 1593	404	
LN2 B7000 500 T10 DOL	4116026023	S2	500	F	1070	Lubricated	B7000	10	7,5	1150	400/3/50	11	68	1943x 738x 1593	448	
LN2 B7000 500 T10 YD	4116026024	S2	500	F	1070	Lubricated	B7000	10	7,5	1150	400/3/50	11	68	1943x 738x 1593	448	
LN2 B7000 500 T10 DOL DRY	4116026025	S2	500	F	1070	Lubricated	B7000	10	7,5	1150	400/3/50	11	68	1943x 738x 1593	448	
LN2 B7000 500 T10 YD DRY	4116026026	S2	500	F	1070	Lubricated	B7000	10	7,5	1150	400/3/50	11	68	1943x 738x 1593	448	

ABAC Air COMPRESSORS S.p.A.

VIA CRISTOFORO COLOMBO, 3 - 10070 ROBASSOMERO

TORINO - ITALY

TEL. +39 011 9246415-421

WWW.ABACAIRCOMPRESSORS.COM

©ABAC 2020

THE CONTENTS OF THIS PUBLICATION ARE THE COPYRIGHT OF THE PUBLISHER AND MAY NOT BE REPRODUCED (EVEN EXTRACTS) UNLESS PRIOR WRITTEN PERMISSION IS GRANTED. EVERY CARE HAS BEEN TAKEN TO ENSURE THE ACCURACY OF THE INFORMATION CONTAINED IN THIS PUBLICATION BUT NO LIABILITY CAN BE ACCEPTED FOR ANY LOSS OR DAMAGE WHETHER DIRECT, INDIRECT OR CONSEQUENTIAL ARISING OUT OF THE USE OF THE INFORMATION CONTAINED HEREIN.