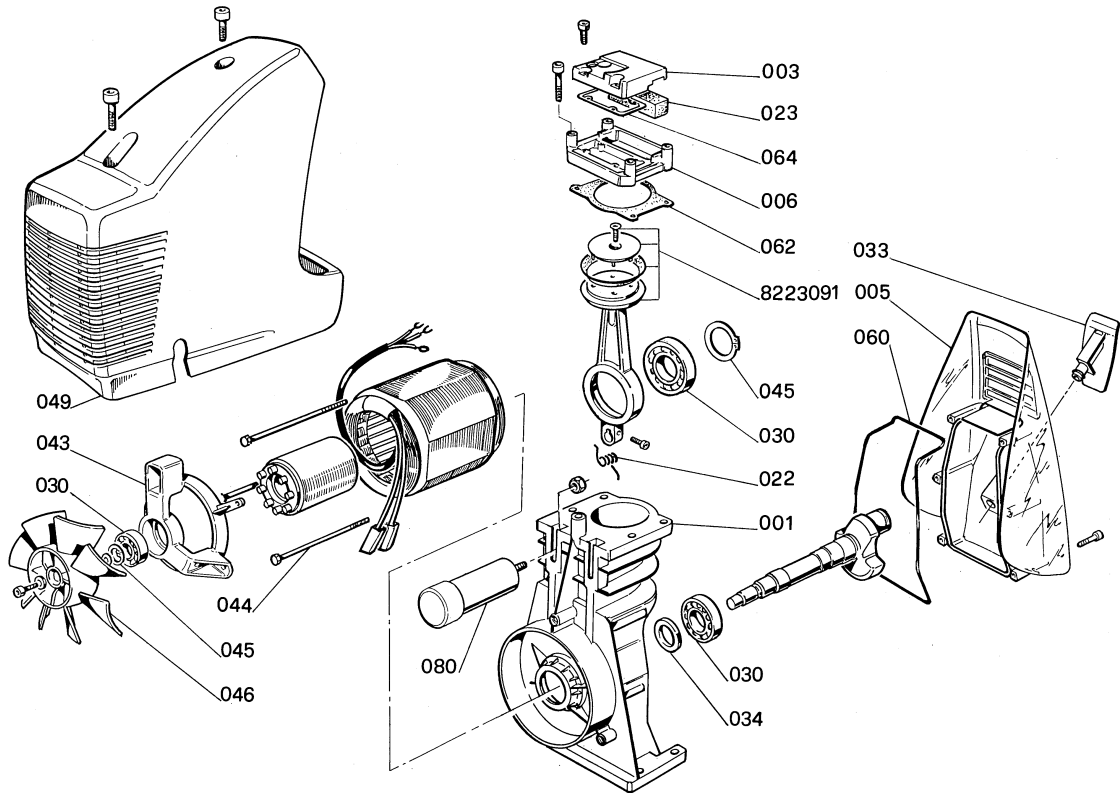
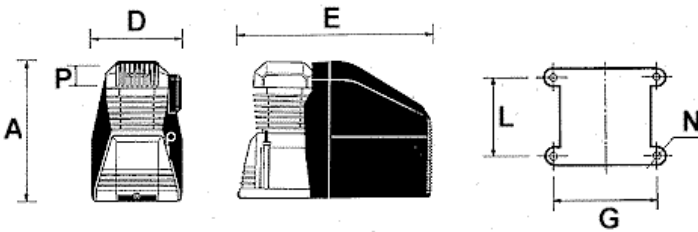


Code: 7S00000

VL 241 HP 2



Dimensions:



In mm

| | | | | | | | | | | |
|-----|---|---|-----|-----|---|-----|----|---|---|--------|
| A | B | C | D | E | F | G | L | M | N | P |
| 314 | | | 192 | 345 | | 139 | 49 | | 9 | 1/4" F |

Box Weight: Kg Box Dimensions: W x D x L: x x

Tightening Torques, Cylinder Head:

| | | |
|-------------|------------------------------------|----|
| Bolt Size: | <input type="text" value="M6"/> | |
| Min Torque: | <input type="text" value="9.3"/> | Nm |
| Max Torque: | <input type="text" value="11.36"/> | Nm |
| | <input type="text" value="11.36"/> | |
| | <input type="text" value="11.36"/> | |

Technical Data:

| | | | |
|---------------|-----------------------------------|--------|--------------------------------------|
| Cylinders: | <input type="text" value="1"/> | | |
| Stages: | <input type="text" value="1"/> | | |
| Air Flow: | <input type="text" value="240"/> | L/m in | <input type="text" value="8,5"/> cfm |
| Power: | <input type="text" value="1,5"/> | Kw | <input type="text" value="2"/> HP |
| Speed: | <input type="text" value="2850"/> | rpm | |
| Max Pressure: | <input type="text" value="8"/> | Bar | <input type="text" value="116"/> psi |

Code:
VL 241 HP 2

7S00000



| <i>Svc</i> | <i>Ref</i> | <i>Code</i> | <i>Description</i> | <i>Qty</i> | <i>Modified</i> |
|-------------------------------------|------------|-------------|-------------------------|------------|-----------------|
| <input type="checkbox"/> | 001 | 7S61100 | Crankase | 1 | |
| <input type="checkbox"/> | 003 | 7S40200 | Pump head | 1 | |
| <input type="checkbox"/> | 005 | 8331100 | Sump base | 1 | |
| <input checked="" type="checkbox"/> | 006 | 7S40050 | Valve plate assy. | 1 | |
| <input type="checkbox"/> | 022 | 9014009 | Oil dipper | 1 | |
| <input checked="" type="checkbox"/> | 023 | 7S81100 | Filter | 1 | |
| <input type="checkbox"/> | 030 | 9170030 | Bearing | 1 | |
| <input type="checkbox"/> | 030 | 9170091 | Bearing | 1 | |
| <input type="checkbox"/> | 030 | 9170097 | Bearing | 1 | |
| <input type="checkbox"/> | 033 | 9024027 | Oil fill plug | 1 | |
| <input type="checkbox"/> | 034 | 9163010 | Oil seal | 1 | |
| <input type="checkbox"/> | 043 | 6P62200 | Motor cover | 1 | |
| <input type="checkbox"/> | 044 | 9011040 | Motor bolts | 3 | |
| <input type="checkbox"/> | 045 | 9140160 | Circlip | 1 | |
| <input type="checkbox"/> | 045 | 9140170 | Circlip | 1 | |
| <input type="checkbox"/> | 046 | 9038017 | Fan | 1 | |
| <input type="checkbox"/> | 049 | 833110D | Cover | 1 | |
| <input type="checkbox"/> | 060 | 7S50100 | Crankase gasket | 1 | |
| <input type="checkbox"/> | 062 | 7S50300 | Cylinder - plate gasket | 1 | |
| <input type="checkbox"/> | 064 | 7S40300 | Plate - head gasket | 1 | |
| <input type="checkbox"/> | 080 | 9067026 | Capacitor | 1 | |

Svc = Service Component