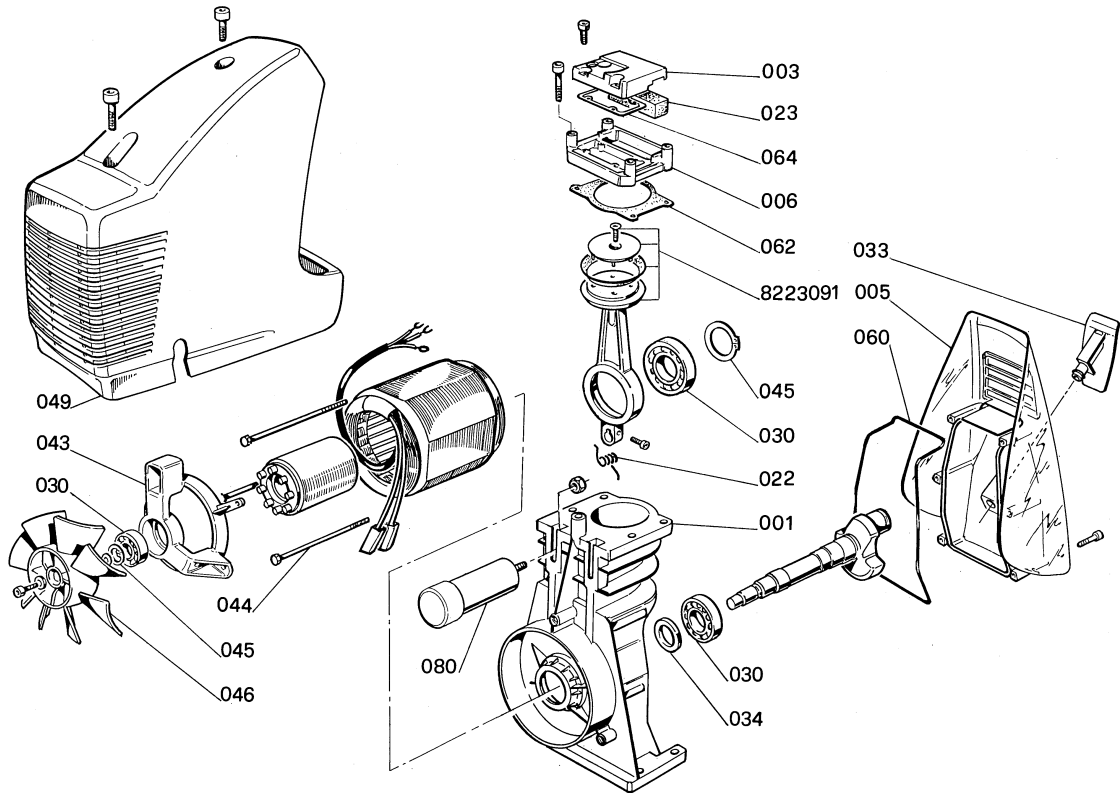
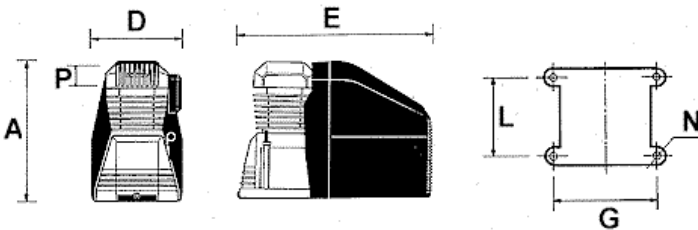


Code: **7T00000**

VL 221 HP 1,5



Dimensions:



In mm

A	B	C	D	E	F	G	L	M	N	P
314			192	345		139	49		9	1/4" F

Box Weight: Kg Box Dimensions: W x D x L: x x

Tightening Torques, Cylinder Head:

Bolt Size:	<input type="text" value="M6"/>
Min Torque:	<input type="text" value="9.3"/> Nm
Max Torque:	<input type="text" value="11.36"/> Nm

Technical Data:

Cylinders:	<input type="text" value="1"/>
Stages:	<input type="text" value="1"/>
Air Flow:	<input type="text" value="220"/> L/m in <input type="text" value="7,8"/> cfm
Power:	<input type="text" value="1,1"/> Kw <input type="text" value="1,5"/> HP
Speed:	<input type="text" value="2850"/> rpm
Max Pressure:	<input type="text" value="8"/> Bar <input type="text" value="116"/> psi

Code:**7T00000****VL 221 HP 1,5**

<i>Svc</i>	<i>Ref</i>	<i>Code</i>	<i>Description</i>	<i>Qty</i>	<i>Modified</i>
<input type="checkbox"/>	001	7T61100	Crankase	1	
<input type="checkbox"/>	003	7S40200	Pump head	1	
<input type="checkbox"/>	005	8331100	Sump base	1	
<input checked="" type="checkbox"/>	006	7S40050	Valve plate assy.	1	
<input type="checkbox"/>	022	9014009	Oil dipper	1	
<input checked="" type="checkbox"/>	023	7S81100	Filter	1	
<input type="checkbox"/>	030	9170030	Bearing	1	
<input type="checkbox"/>	030	9170091	Bearing	1	
<input type="checkbox"/>	030	9170097	Bearing	1	
<input type="checkbox"/>	033	9024027	Oil fill plug	1	
<input type="checkbox"/>	034	9163010	Oil seal	1	
<input type="checkbox"/>	043	6P62200	Motor cover	1	
<input type="checkbox"/>	044	9011044	Motor bolts	3	
<input type="checkbox"/>	045	9140160	Circlip	1	
<input type="checkbox"/>	045	9140170	Circlip	1	
<input type="checkbox"/>	046	9038017	Fan	1	
<input type="checkbox"/>	049	833110D	Cover	1	
<input type="checkbox"/>	060	7S50100	Crankase gasket	1	
<input type="checkbox"/>	062	7S50300	Cylinder - plate gasket	1	01.04.2001
<input type="checkbox"/>	062	7T50300	Cylinder - plate gasket	1	
<input type="checkbox"/>	064	7S40300	Plate - head gasket	1	
<input type="checkbox"/>	080	9067026	Capacitor	1	01.04.2001
<input type="checkbox"/>	080	9067017	Capacitor	1	

Svc = Service Component