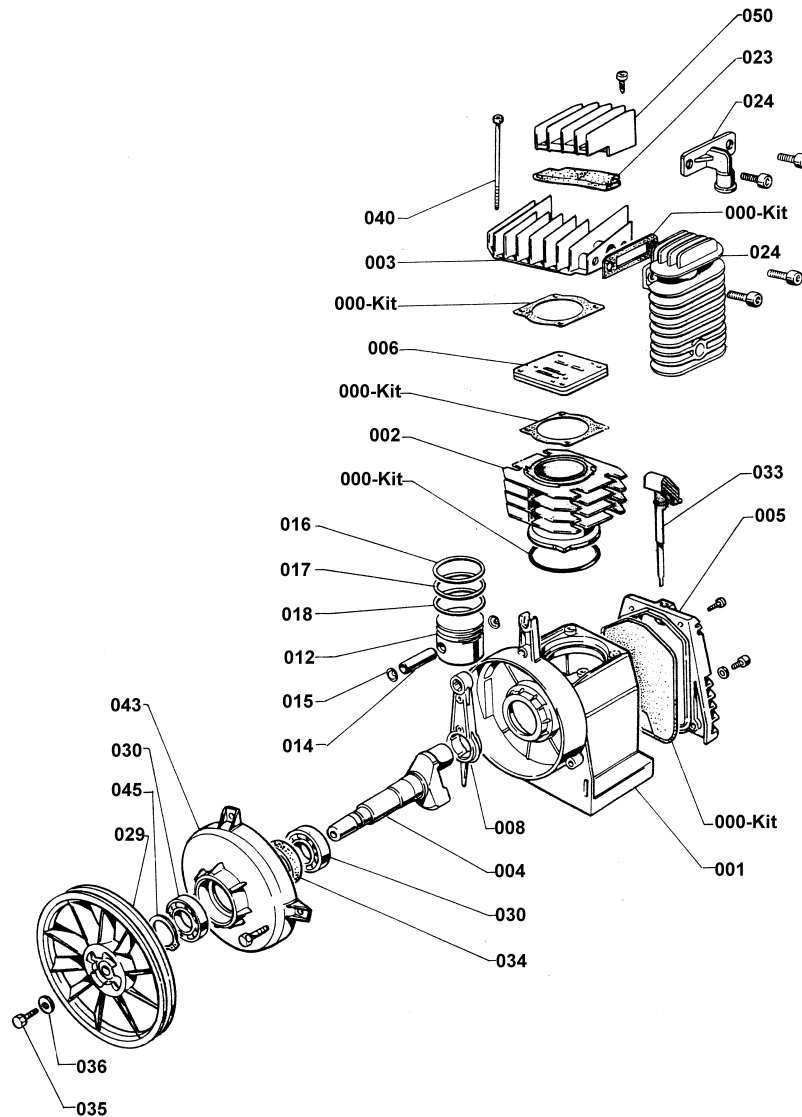
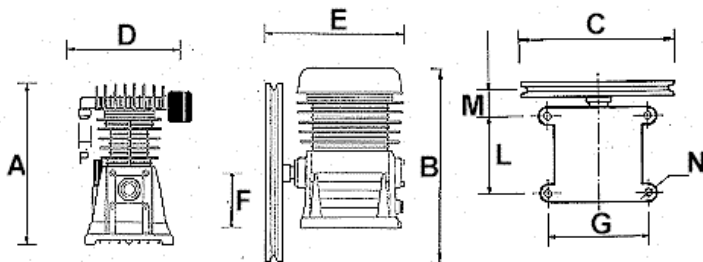


Code: 00 1500000

B 1500



**Dimensions:**



In mm

A	B	C	D	E	F	G	L	M	N	P
264	322	280	162	244	140	139	64	116	9	3/8" F

Box Weight: 6 Kg      Box Dimensions: W x D x L: 241 x 251 x 322

**Tightening Torques, Cylinder Head:**

Bolt Size:	M6
Min Torque:	9.3 Nm
Max Torque:	11.36 Nm

**Technical Data:**

Cylinders:	1	
Stages:	1	
Air Flow:	128 L/min	4.5 cfm
Power:	1.1 Kw	1.5 HP
Speed:	1750 rpm	
Max Pressure:	9 Bar	131 psi

Code:  
B 1500

00 1500000



<i>Svc</i>	<i>Ref</i>	<i>Code</i>	<i>Description</i>	<i>Qty</i>	<i>Modified</i>
<input checked="" type="checkbox"/>	000	00 7150050	Gasket Kit	1	
<input type="checkbox"/>	001	00 7161100	Crankase	1	
<input type="checkbox"/>	002	00 7130000	Cylinder	1	
<input type="checkbox"/>	003	00 7261400	Pump head	1	
<input type="checkbox"/>	004	00 1561200	Crankshaft	1	
<input type="checkbox"/>	005	00 7161300	Crankase gasket	1	
<input checked="" type="checkbox"/>	006	00 0540051	Valve plate assy.	1	
<input type="checkbox"/>	008	00 7110100	Connecting rod	1	
<input type="checkbox"/>	012	00 692110B	Piston D. Pin D.	1	
<input type="checkbox"/>	014	00 6521200	Pin	1	
<input type="checkbox"/>	015	00 9140020	Circlip	2	
<input type="checkbox"/>	016	00 9020039	Piston ring AC	1	
<input type="checkbox"/>	017	00 9020051	Piston ring ROS	1	
<input type="checkbox"/>	018	00 9020068	Piston ring ROF	1	
<input checked="" type="checkbox"/>	023	00 7181100	Filter	1	
<input type="checkbox"/>	024	00 2670100	Aftercooler	1	
<input type="checkbox"/>	029	00 1000100	Flywheel	1	
<input type="checkbox"/>	030	00 9170030	Bearing	1	
<input type="checkbox"/>	030	00 9170111	Bearing	1	
<input type="checkbox"/>	033	00 9024022	Oil fill plug	1	
<input type="checkbox"/>	034	00 9163010	Oil seal	1	
<input type="checkbox"/>	035	00 9110014	Screw	1	
<input type="checkbox"/>	036	00 9004008	Fly wheel washer	1	
<input type="checkbox"/>	040	00 9101124	Cylinder head bolts	4	
<input type="checkbox"/>	043	00 1561500	Motor cover	1	
<input type="checkbox"/>	045	00 9140120	Circlip	1	
<input type="checkbox"/>	050	00 830130A	Cover plate	1	

*Svc = Service Item*