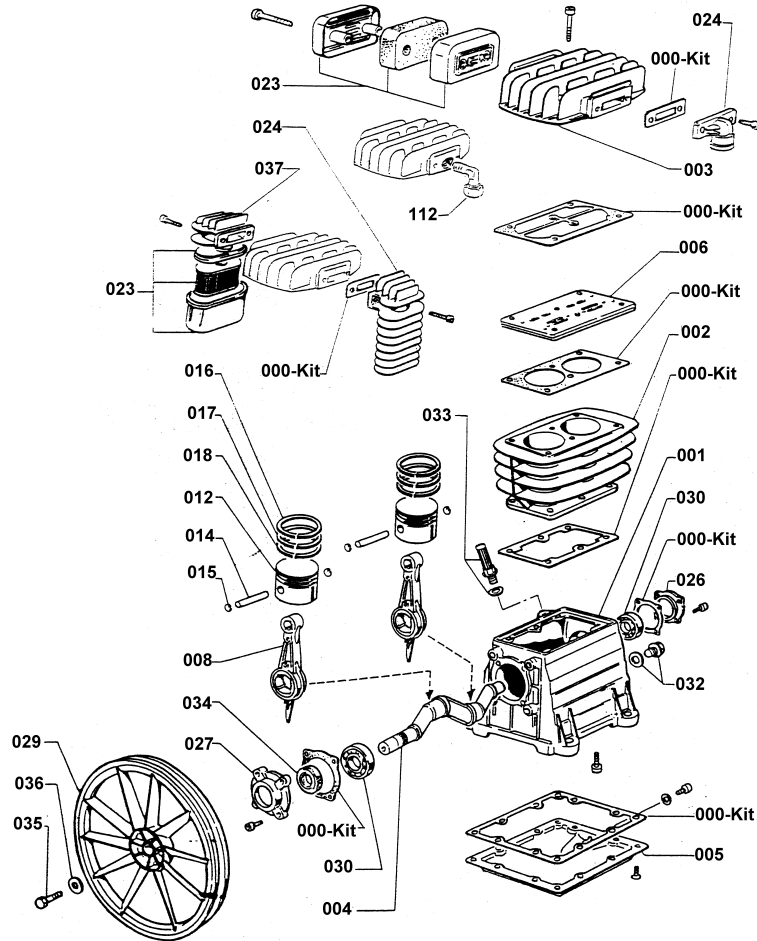
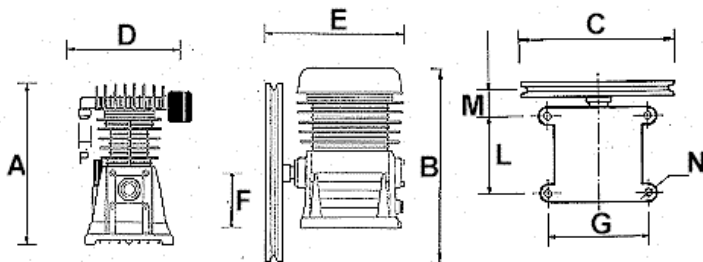


Code: 00 280000B

NS11B - B 2800B



Dimensions:



In mm

A	B	C	D	E	F	G	L	M	N	P
280	324	280	235	255	97	162	132	76	9	3/4" F

Box Weight: 8.5 Kg Box Dimensions: W x D x L: 271 x 286 x 362

Tightening Torques, Cylinder Head:

Bolt Size:	M8	
Min Torque:	22.45	Nm
Max Torque:	27.43	Nm

Technical Data:

Cylinders:	2		
Stages:	1		
Air Flow:	320	L/min	11.3 cfm
Power:	2.2	Kw	3 HP
Speed:	1570	rpm	
Max Pressure:	9	Bar	131 psi

Code: 00 280000B

NS11B - B 2800B



<i>Svc</i>	<i>Ref</i>	<i>Code</i>	<i>Description</i>	<i>Qty</i>	<i>Modified</i>
<input checked="" type="checkbox"/>	000	00 2850055	Gasket Kit	1	
<input type="checkbox"/>	001	00 2860100	Crankase	1	
<input type="checkbox"/>	002	00 2830000	Cylinder	1	
<input type="checkbox"/>	003	00 3860400	Pump head	1	
<input type="checkbox"/>	004	00 2860200	Crankshaft	1	
<input type="checkbox"/>	005	00 2660160	Crankase gasket	1	
<input checked="" type="checkbox"/>	006	00 2840050	Valve plate assy.	1	
<input type="checkbox"/>	008	00 2810100	Connecting rod	2	
<input type="checkbox"/>	012	00 1421100	Piston D. Pin D.	2	
<input type="checkbox"/>	014	00 3021200	Pin	2	
<input type="checkbox"/>	015	00 9140040	Circlip	4	
<input type="checkbox"/>	016	00 9020011	Piston ring AC	2	
<input type="checkbox"/>	017	00 9020041	Piston ring ROS	2	
<input type="checkbox"/>	018	00 9020071	Piston ring ROF	2	
<input checked="" type="checkbox"/>	023	00 2881000	Filter	1	
<input type="checkbox"/>	024	00 1070100	Aftercooler	1	
<input type="checkbox"/>	026	00 2060690	Cover N.D.E.	1	
<input type="checkbox"/>	027	00 2060590	Cover D.E.	1	
<input type="checkbox"/>	029	00 2600100	Flywheel	1	
<input type="checkbox"/>	030	00 9170030	Bearing	2	
<input type="checkbox"/>	032	00 9022001	Oil sight glass	1	
<input type="checkbox"/>	033	00 9024021	Oil fill plug	1	
<input type="checkbox"/>	034	00 9163010	Oil seal	1	
<input type="checkbox"/>	035	00 9110014	Screw	1	
<input type="checkbox"/>	036	00 9004008	Fly wheel washer	1	

Svc = Service Item