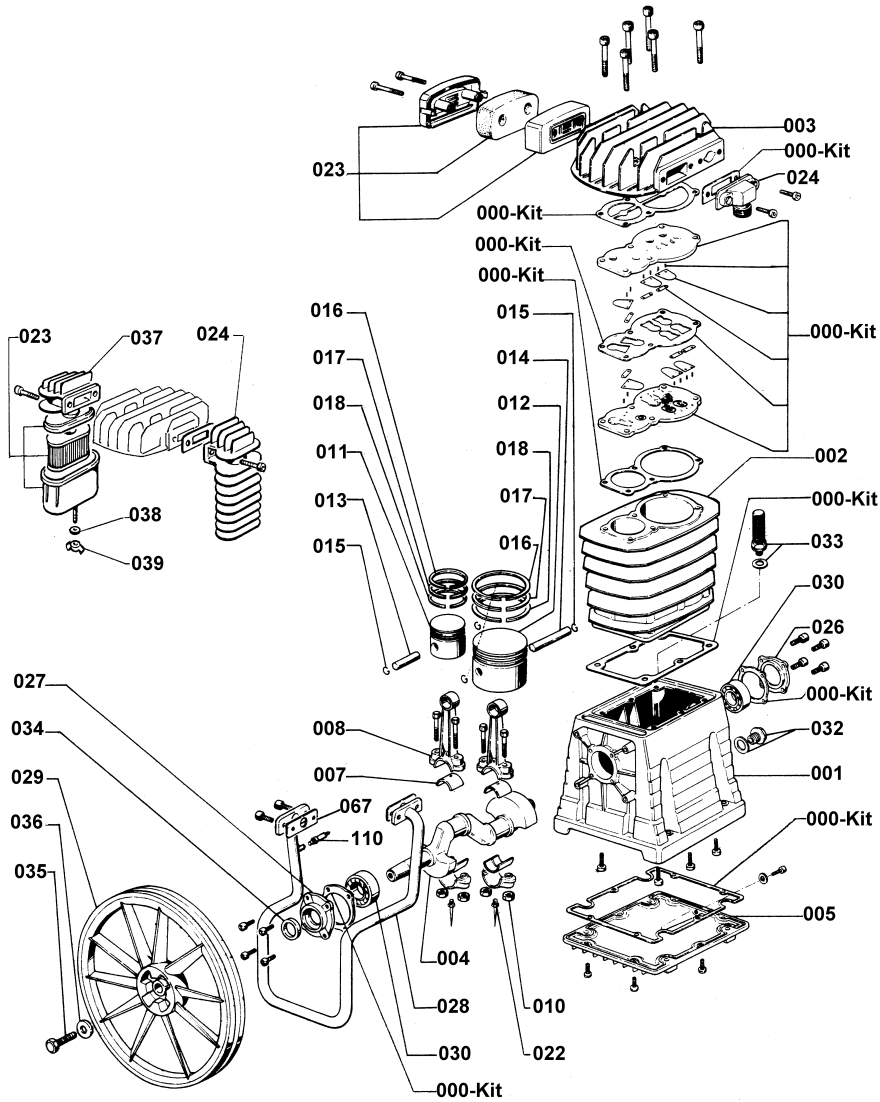
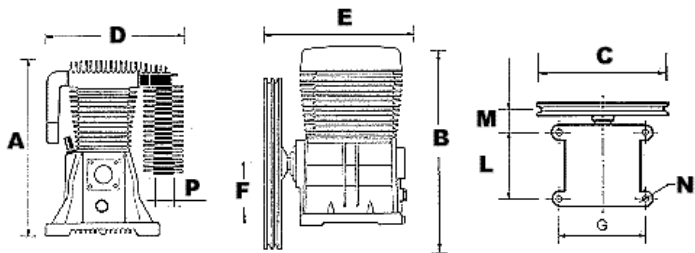


Code: 00 4900000

B 4900



Dimensions:



In mm

A	B	C	D	E	F	G	L	M	N	P
363	424	370	210	307	124	174	146	105	11	1/2" F

Box Weight: 15 Kg Box Dimensions: W x D x L: 301 x 376 x 432

Tightening Torques, Cylinder Head:

Bolt Size:	M8	
Min Torque:	22.45	Nm
Max Torque:	27.43	Nm

Technical Data:

Cylinders:	2		
Stages:	2		
Air Flow:	514	L/min	18.1 cfm
Power:	3	Kw	4 HP
Speed:	1450	rpm	
Max Pressure:	12	Bar	174 psi

Code:
B 4900

00 4900000



<i>Svc</i>	<i>Ref</i>	<i>Code</i>	<i>Description</i>	<i>Qty</i>	<i>Modified</i>
<input checked="" type="checkbox"/>	000	00 4950055	Gasket Kit	1	
<input type="checkbox"/>	001	00 4960100	Crankase	1	
<input type="checkbox"/>	002	00 4930000	Cylinder	1	
<input type="checkbox"/>	003	00 4961400	Pump head	1	
<input type="checkbox"/>	004	00 4961200	Crankshaft	1	
<input type="checkbox"/>	005	00 4961300	Crankase gasket	1	
<input checked="" type="checkbox"/>	006	00 4940050	Valve plate assy.	1	
<input type="checkbox"/>	007	00 9013011	Halfbearing	4	
<input type="checkbox"/>	008	00 4011101	Connecting rod	2	
<input type="checkbox"/>	010	00 9128234	Self locking nut	4	
<input type="checkbox"/>	011	00 4621100	Piston D. Pin D.	1	
<input type="checkbox"/>	012	00 4922100	Piston D. Pin D.	1	
<input type="checkbox"/>	013	00 4621200	Pin	1	
<input type="checkbox"/>	014	00 4922200	Pin	1	
<input type="checkbox"/>	015	00 9140050	Circlip	4	
<input type="checkbox"/>	016	00 9020055	Piston ring AC	1	
<input type="checkbox"/>	016	00 9020023	Piston ring AC	1	
<input type="checkbox"/>	017	00 9020053	Piston ring ROS	1	
<input type="checkbox"/>	017	00 9020056	Piston ring ROS	1	
<input type="checkbox"/>	018	00 9020086	Piston ring ROF	1	
<input type="checkbox"/>	018	00 9020057	Piston ring ROF	1	
<input checked="" type="checkbox"/>	023	00 4981000	Filter	1	
<input type="checkbox"/>	024	00 3970100	Aftercooler	1	
<input type="checkbox"/>	026	00 2060690	Cover N.D.E.	1	
<input type="checkbox"/>	027	00 2060590	Cover D.E.	1	
<input type="checkbox"/>	028	00 4662010	Intercooler	1	
<input type="checkbox"/>	029	00 4000100	Flywheel	1	
<input type="checkbox"/>	030	00 9170030	Bearing	2	
<input type="checkbox"/>	032	00 9022001	Oil sight glass	1	
<input type="checkbox"/>	033	00 9024010	Oil fill plug	1	
<input type="checkbox"/>	034	00 9163010	Oil seal	1	
<input type="checkbox"/>	035	00 9110014	Screw	1	
<input type="checkbox"/>	036	00 9004008	Fly wheel washer	1	
<input type="checkbox"/>	110	00 9049020	Safety valve	1	

Svc = Service Item