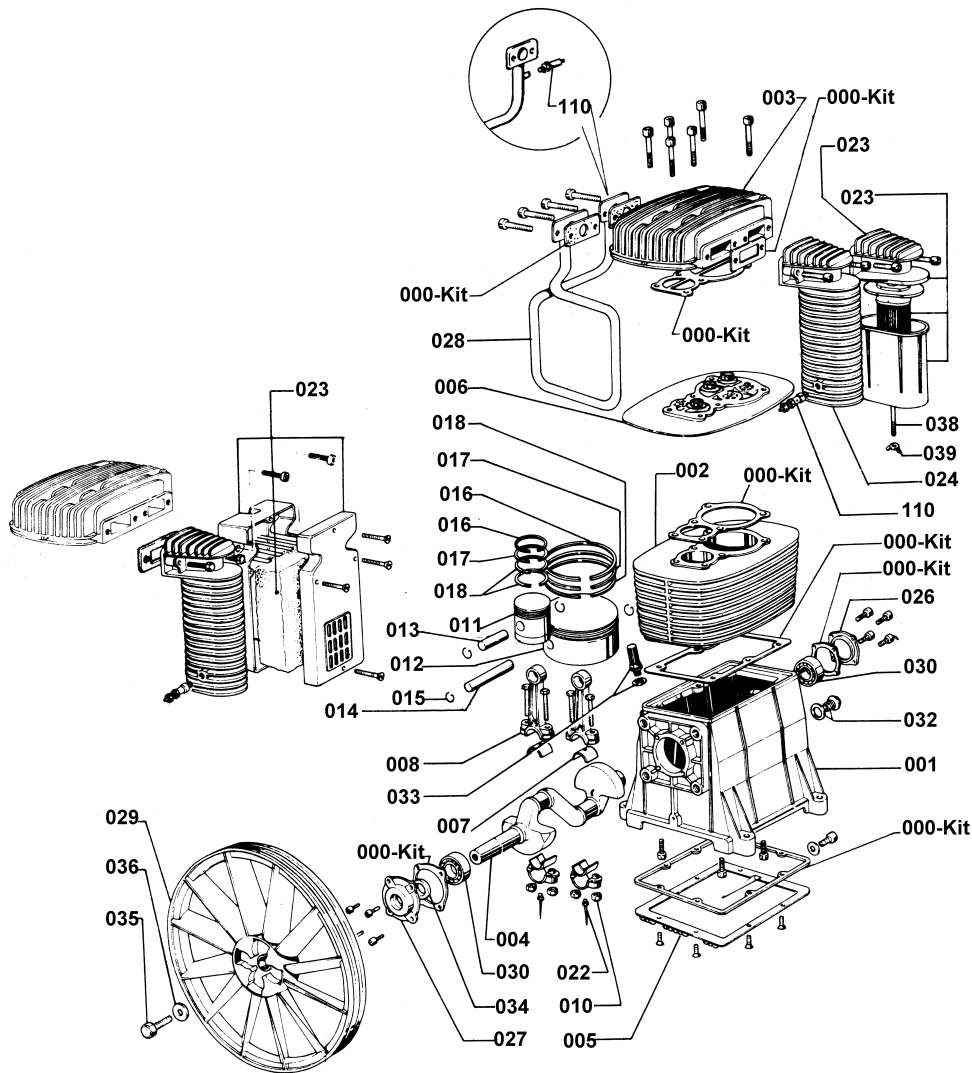
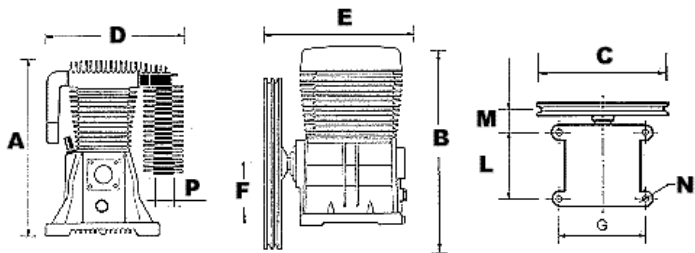


Code: 00 6200000

B 6000



Dimensions:



In mm

A	B	C	D	E	F	G	L	M	N	P
442	507	430	352	370	150	248	198	79	13	1 1/4" F

Box Weight: 32 Kg Box Dimensions: W x D x L: 391 x 436 x 532

Tightening Torques, Cylinder Head:

Bolt Size:	M10	
Min Torque:	45.28	Nm
Max Torque:	55.34	Nm

Technical Data:

Cylinders:	2		
Stages:	2		
Air Flow:	827	L/min	29.2 cfm
Power:	5.5	Kw	7.5 HP
Speed:	1450	rpm	
Max Pressure:	12	Bar	174 psi

Code:
B 6000

00 6200000



<i>Svc</i>	<i>Ref</i>	<i>Code</i>	<i>Description</i>	<i>Qty</i>	<i>Modified</i>
<input checked="" type="checkbox"/>	000	00 6050057	Gasket Kit	1	
<input type="checkbox"/>	001	00 6061101	Crankase	1	
<input type="checkbox"/>	002	00 6330000	Cylinder	1	
<input type="checkbox"/>	003	00 6061401	Pump head	1	
<input type="checkbox"/>	004	00 6061200	Crankshaft	1	
<input type="checkbox"/>	005	00 6061301	Crankase gasket	1	
<input checked="" type="checkbox"/>	006	00 6040051	Valve plate assy.	1	
<input type="checkbox"/>	007	00 9013014	Halfbearing	4	
<input type="checkbox"/>	008	00 6011101	Connecting rod	2	
<input type="checkbox"/>	010	00 9128234	Self locking nut	4	
<input type="checkbox"/>	011	00 6021100	Piston D. Pin D.	1	
<input type="checkbox"/>	012	00 6022100	Piston D. Pin D.	1	
<input type="checkbox"/>	013	00 6021200	Pin	1	
<input type="checkbox"/>	014	00 6022200	Pin	1	
<input type="checkbox"/>	015	00 9140060	Circlip	4	
<input type="checkbox"/>	016	00 9020011	Piston ring AC	1	
<input type="checkbox"/>	016	00 9020016	Piston ring AC	1	
<input type="checkbox"/>	017	00 9020046	Piston ring ROS	1	
<input type="checkbox"/>	017	00 9020041	Piston ring ROS	1	
<input type="checkbox"/>	018	00 9020076	Piston ring ROF	1	
<input type="checkbox"/>	018	00 9020073	Piston ring ROF	2	
<input checked="" type="checkbox"/>	023	00 5281000	Filter	1	
<input type="checkbox"/>	024	00 5070100	Aftercooler	1	
<input type="checkbox"/>	026	00 5061690	Cover N.D.E.	1	
<input type="checkbox"/>	027	00 6061590	Cover D.E.	1	
<input type="checkbox"/>	028	00 5262010	Intercooler	1	
<input type="checkbox"/>	029	00 5000100	Flywheel	1	
<input type="checkbox"/>	030	00 9170090	Bearing	1	
<input type="checkbox"/>	030	00 9170020	Bearing	1	
<input type="checkbox"/>	032	00 9022003	Oil sight glass	1	
<input type="checkbox"/>	033	00 9024006	Oil fill plug	1	
<input type="checkbox"/>	034	00 9163030	Oil seal	1	
<input type="checkbox"/>	035	00 9110024	Screw	1	
<input type="checkbox"/>	036	00 9004009	Fly wheel washer	1	
<input type="checkbox"/>	110	00 9049020	Safety valve	1	
<input type="checkbox"/>	110	00 9049032	Safety valve	1	

Svc = Service Item