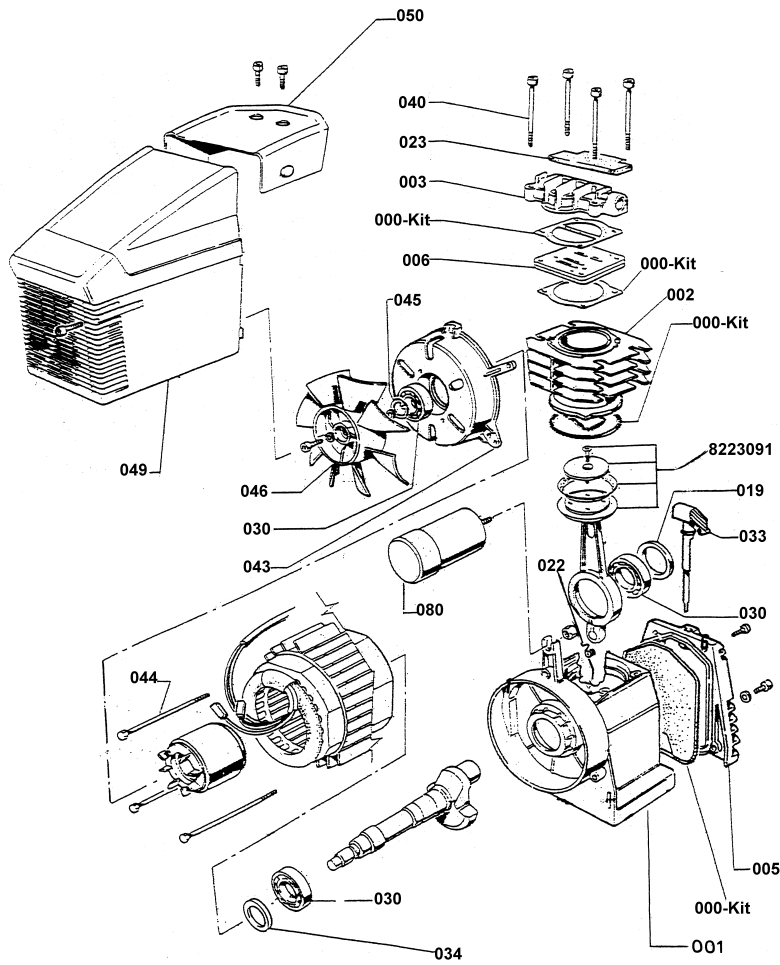
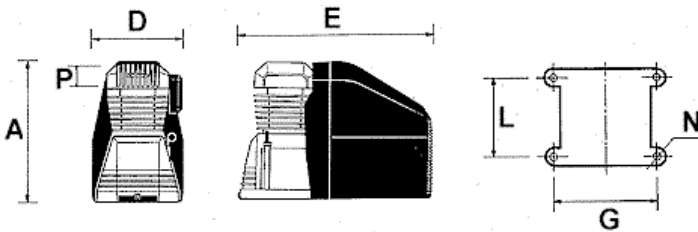


Code: 00 6R00000
F1/221 - 230V 50Hz - 1.5HP 2P



Dimensions:



In mm

| A | B | C | D | E | F | G | L | M | N | P |
|-----|---|---|-----|-----|---|-----|----|---|---|--------|
| 270 | / | / | 165 | 375 | / | 139 | 64 | / | 9 | 3/8" F |

Box Weight: Kg Box Dimensions: W x D x L: x x

Tightening Torques, Cylinder Head:

| | | |
|-------------|------------------------------------|----|
| Bolt Size: | <input type="text" value="M6"/> | |
| Min Torque: | <input type="text" value="9.3"/> | Nm |
| Max Torque: | <input type="text" value="11.36"/> | Nm |

Technical Data:

| | | | |
|--------------|-----------------------------------|-------|--------------------------------------|
| Cylinders: | <input type="text" value="1"/> | | |
| Stages: | <input type="text" value="1"/> | | |
| Air Flow: | <input type="text" value="220"/> | L/min | <input type="text" value="7.8"/> cfm |
| Power: | <input type="text" value="1.1"/> | Kw | <input type="text" value="1.5"/> HP |
| Speed: | <input type="text" value="2850"/> | rpm | |
| Max Pressure | <input type="text" value="8"/> | Bar | <input type="text" value="116"/> psi |

Code: 00 6R00000
F1/221 - 230V 50Hz - 1.5HP 2P



| <i>Svc</i> | <i>Ref</i> | <i>Code</i> | <i>Description</i> | <i>Qty</i> | <i>Modified</i> |
|-------------------------------------|------------|-------------|---------------------|------------|-----------------|
| <input checked="" type="checkbox"/> | 000 | 00 6R50050 | Gasket Kit | 1 | |
| <input type="checkbox"/> | 001 | 00 6P61100 | Crankase | 1 | |
| <input type="checkbox"/> | 002 | 00 6P30000 | Cylinder | 1 | |
| <input type="checkbox"/> | 003 | 00 7161400 | Pump head | 1 | |
| <input type="checkbox"/> | 005 | 00 7161300 | Crankase gasket | 1 | |
| <input checked="" type="checkbox"/> | 006 | 00 0540051 | Valve plate assy. | 1 | |
| <input type="checkbox"/> | 022 | 00 9014009 | Oil dipper | 1 | |
| <input checked="" type="checkbox"/> | 023 | 00 7181100 | Filter | 1 | |
| <input type="checkbox"/> | 030 | 00 9170097 | Bearing | 1 | |
| <input type="checkbox"/> | 030 | 00 9170030 | Bearing | 1 | |
| <input type="checkbox"/> | 030 | 00 9170091 | Bearing | 1 | |
| <input type="checkbox"/> | 033 | 00 9024015 | Oil fill plug | 1 | |
| <input type="checkbox"/> | 034 | 00 9163010 | Oil seal | 1 | |
| <input type="checkbox"/> | 040 | 00 9011043 | Cylinder head bolts | 4 | |
| <input type="checkbox"/> | 043 | 00 6P62200 | Motor cover | 1 | |
| <input type="checkbox"/> | 044 | 00 9011044 | Motor bolts | 3 | |
| <input type="checkbox"/> | 045 | 00 9140170 | Circlip | 1 | |
| <input type="checkbox"/> | 045 | 00 9140160 | Circlip | 1 | |
| <input type="checkbox"/> | 046 | 00 9038017 | Fan | 1 | |
| <input type="checkbox"/> | 049 | 00 830200A | Cover | 1 | |
| <input type="checkbox"/> | 050 | 00 830150A | Cover plate | 1 | |
| <input type="checkbox"/> | 080 | 00 9067026 | Capacitor | 1 | |

Svc = Service Item