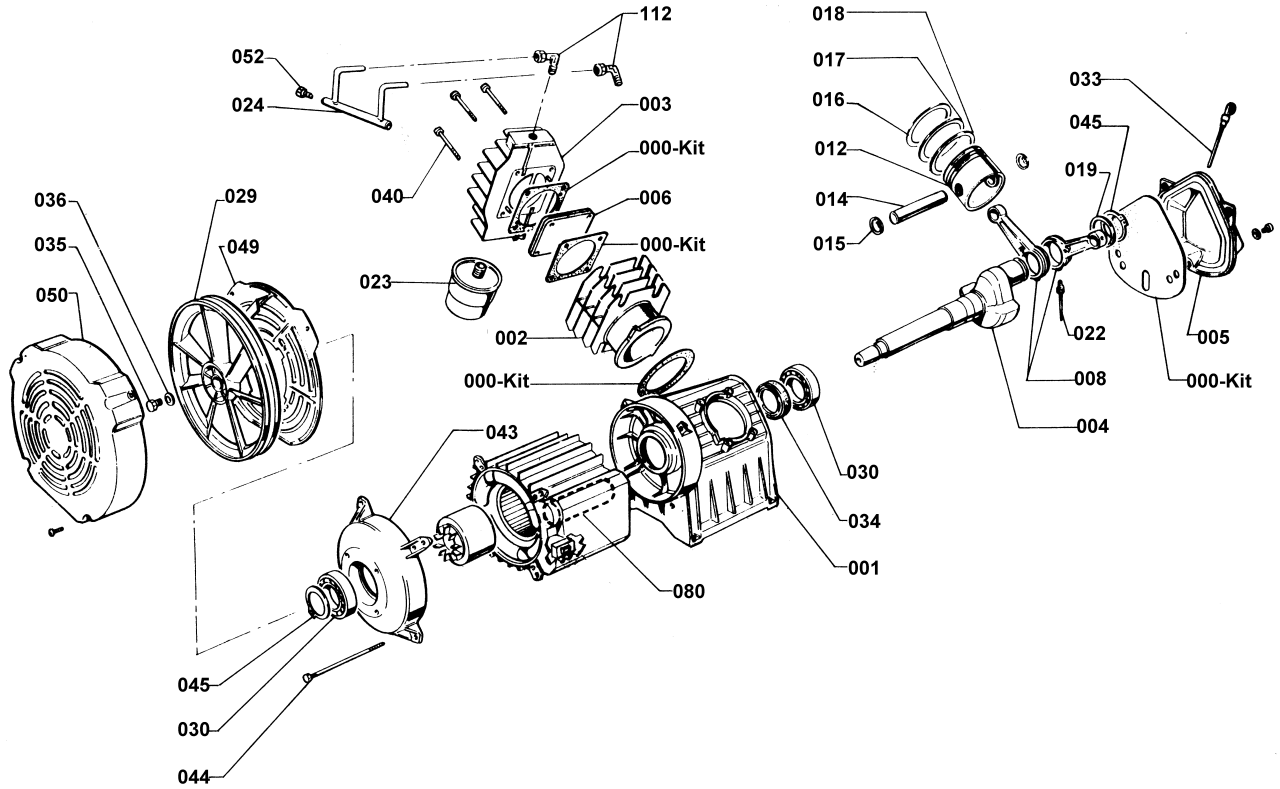
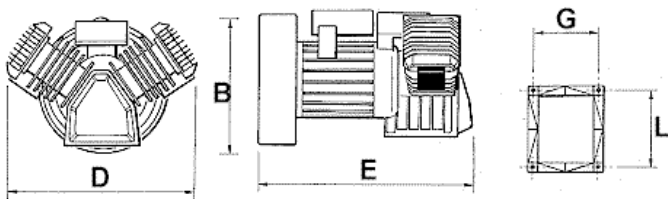


Code: 00 3D00000

NV 34 - 230V 50Hz - 4P



**Dimensions:**



In mm

| A | B   | C | D   | E   | F | G   | L   | M | N | P      |
|---|-----|---|-----|-----|---|-----|-----|---|---|--------|
|   | 350 | / | 380 | 495 | / | 130 | 156 | / | 9 | 1/2" F |

Box Weight: 26.5 Kg Box Dimensions: W x D x L: 406 x 501 x 377

**Tightening Torques, Cylinder Head:**

|             |       |    |
|-------------|-------|----|
| Bolt Size:  | M6    |    |
| Min Torque: | 9.3   | Nm |
| Max Torque: | 11.36 | Nm |

**Technical Data:**

|               |      |       |          |
|---------------|------|-------|----------|
| Cylinders:    | 2    |       |          |
| Stages:       | 1    |       |          |
| Air Flow:     | 345  | L/min | 12.2 cfm |
| Power:        | 2.2  | Kw    | 3 HP     |
| Speed:        | 1450 | rpm   |          |
| Max Pressure: | 9    | Bar   | 131 psi  |

**Code: 00 3D00000**  
**NV 34 - 230V 50Hz - 4P**



| <i>Svc</i>                          | <i>Ref</i> | <i>Code</i> | <i>Description</i>  | <i>Qty</i> | <i>Modified</i> |
|-------------------------------------|------------|-------------|---------------------|------------|-----------------|
| <input checked="" type="checkbox"/> | 000        | 00 3D50050  | Gasket Kit          | 1          |                 |
| <input type="checkbox"/>            | 001        | 00 3N60100  | Crankase            | 1          |                 |
| <input type="checkbox"/>            | 002        | 00 7330000  | Cylinder            | 2          |                 |
| <input type="checkbox"/>            | 003        | 00 1761401  | Pump head           | 2          |                 |
| <input type="checkbox"/>            | 004        | 00 3N60200  | Crankshaft          | 1          |                 |
| <input type="checkbox"/>            | 005        | 00 3N60300  | Crankase gasket     | 1          |                 |
| <input checked="" type="checkbox"/> | 006        | 00 0540051  | Valve plate assy.   | 2          |                 |
| <input type="checkbox"/>            | 008        | 00 3D10200  | Connecting rod      | 1          |                 |
| <input type="checkbox"/>            | 008        | 00 3D10100  | Connecting rod      | 1          |                 |
| <input type="checkbox"/>            | 012        | 00 1421100  | Piston D. Pin D.    | 2          |                 |
| <input type="checkbox"/>            | 014        | 00 7921200  | Pin                 | 2          |                 |
| <input type="checkbox"/>            | 015        | 00 9140040  | Circlip             | 4          |                 |
| <input type="checkbox"/>            | 016        | 00 9020011  | Piston ring AC      | 2          |                 |
| <input type="checkbox"/>            | 017        | 00 9020041  | Piston ring ROS     | 2          |                 |
| <input type="checkbox"/>            | 018        | 00 9020071  | Piston ring ROF     | 2          |                 |
| <input type="checkbox"/>            | 019        | 00 9004031  |                     | 1          |                 |
| <input type="checkbox"/>            | 022        | 00 9014006  | Oil dipper          | 1          |                 |
| <input checked="" type="checkbox"/> | 023        | 00 6581000  | Filter              | 2          |                 |
| <input type="checkbox"/>            | 024        | 00 9053662  | Aftercooler         | 1          |                 |
| <input type="checkbox"/>            | 029        | 00 2600100  | Flywheel            | 1          |                 |
| <input type="checkbox"/>            | 030        | 00 9170085  | Bearing             | 1          |                 |
| <input type="checkbox"/>            | 030        | 00 9170090  | Bearing             | 1          |                 |
| <input type="checkbox"/>            | 033        | 00 9024020  | Oil fill plug       | 1          |                 |
| <input type="checkbox"/>            | 034        | 00 9163030  | Oil seal            | 1          |                 |
| <input type="checkbox"/>            | 036        | 00 9004008  | Fly wheel washer    | 1          |                 |
| <input type="checkbox"/>            | 040        | 00 9011048  | Cylinder head bolts | 8          |                 |
| <input type="checkbox"/>            | 043        | 00 3N60400  | Motor cover         | 1          |                 |
| <input type="checkbox"/>            | 044        | 00 9067182  | Motor bolts         | 4          |                 |
| <input type="checkbox"/>            | 045        | 00 9140130  | Circlip             | 1          |                 |
| <input type="checkbox"/>            | 045        | 00 9140170  | Circlip             | 1          |                 |
| <input type="checkbox"/>            | 049        | 00 8356100  | Cover               | 1          |                 |
| <input type="checkbox"/>            | 050        | 00 8356200  | Cover plate         | 1          |                 |
| <input type="checkbox"/>            | 052        | 00 9053551  | Valve               | 2          |                 |
| <input type="checkbox"/>            | 112        | 00 9053005  | Connection          | 2          |                 |

*Svc = Service Item*