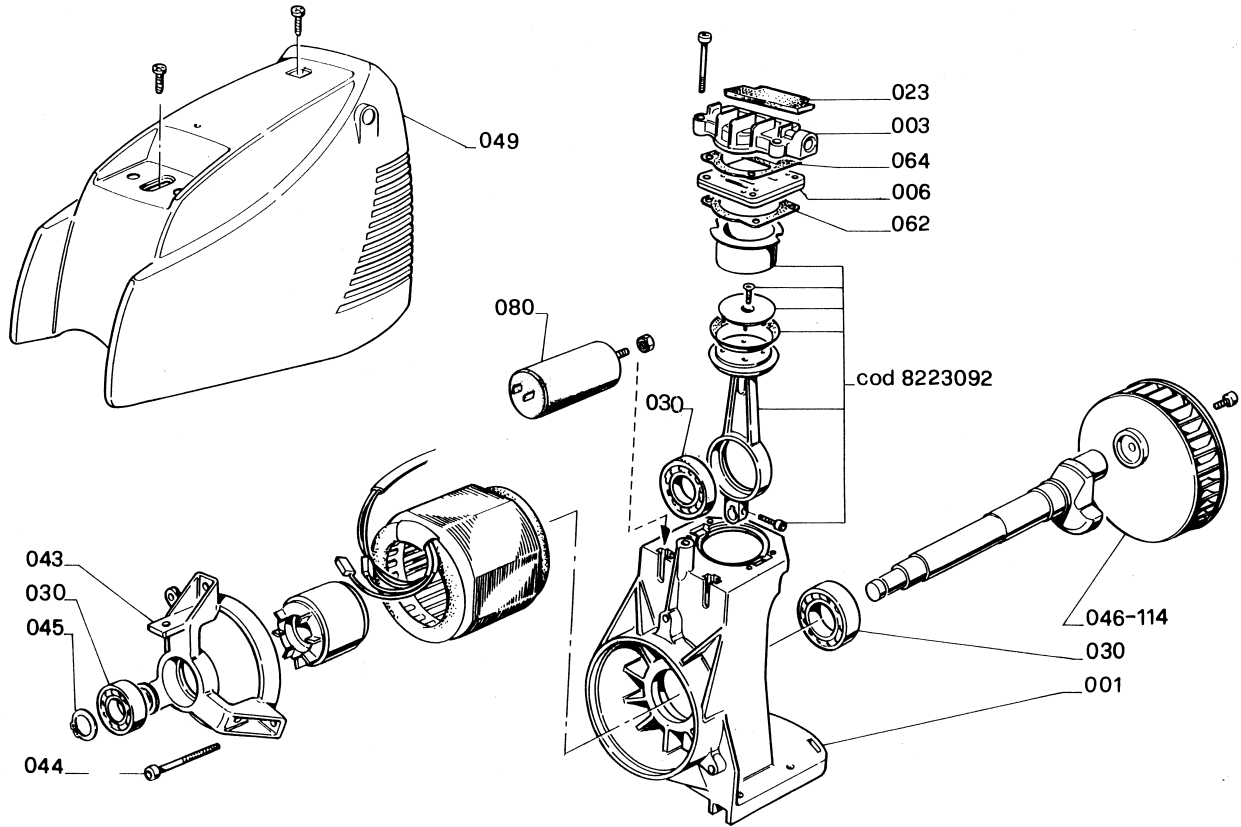
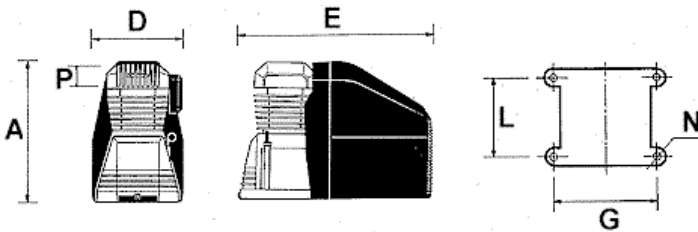


Code: 00 0400000
OL 200 - 230V 50Hz 1.5HP



Dimensions:



In mm

A	B	C	D	E	F	G	L	M	N	P
285	/	/	190	390	/	139	64	/	9	3/8" F

Box Weight: Kg Box Dimensions: W x D x L: x x

Tightening Torques, Cylinder Head:

Bolt Size:	<input type="text" value="M6"/>	
Min Torque:	<input type="text" value="9.3"/>	Nm
Max Torque:	<input type="text" value="11.36"/>	Nm

Technical Data:

Cylinders:	<input type="text" value="1"/>		
Stages:	<input type="text" value="1"/>		
Air Flow:	<input type="text" value="200"/>	L/min	<input type="text" value="7.1"/> cfm
Power:	<input type="text" value="1.1"/>	Kw	<input type="text" value="1.5"/> HP
Speed:	<input type="text" value="2850"/>	rpm	
Max Pressure	<input type="text" value="8"/>	Bar	<input type="text" value="116"/> psi

Code: 00 0400000
OL 200 - 230V 50Hz 1.5HP



<i>Svc</i>	<i>Ref</i>	<i>Code</i>	<i>Description</i>	<i>Qty</i>	<i>Modified</i>
<input type="checkbox"/>	001	00 0461101	Crankase	1	
<input type="checkbox"/>	003	00 7161400	Pump head	1	
<input checked="" type="checkbox"/>	006	00 0540051	Valve plate assy.	1	
<input checked="" type="checkbox"/>	023	00 7181100	Filter	1	
<input type="checkbox"/>	030	00 9170097	Bearing	1	
<input type="checkbox"/>	030	00 9170091	Bearing	1	
<input type="checkbox"/>	030	00 9170085	Bearing	1	
<input type="checkbox"/>	043	00 0462200	Motor cover	1	
<input type="checkbox"/>	044	00 9011044	Motor bolts	3	
<input type="checkbox"/>	045	00 9140160	Circlip	1	
<input type="checkbox"/>	046	00 9038128	Fan	1	
<input type="checkbox"/>	049	00 830410D	Cover	1	
<input checked="" type="checkbox"/>	062	00 7350300	Cylinder - plate gasket	1	
<input checked="" type="checkbox"/>	064	00 6750400	Plate - head gasket	1	
<input type="checkbox"/>	080	00 9067026	Capacitor	1	
<input type="checkbox"/>	114	00 9053796	Fan retaining bolt	1	

Svc = Service Item