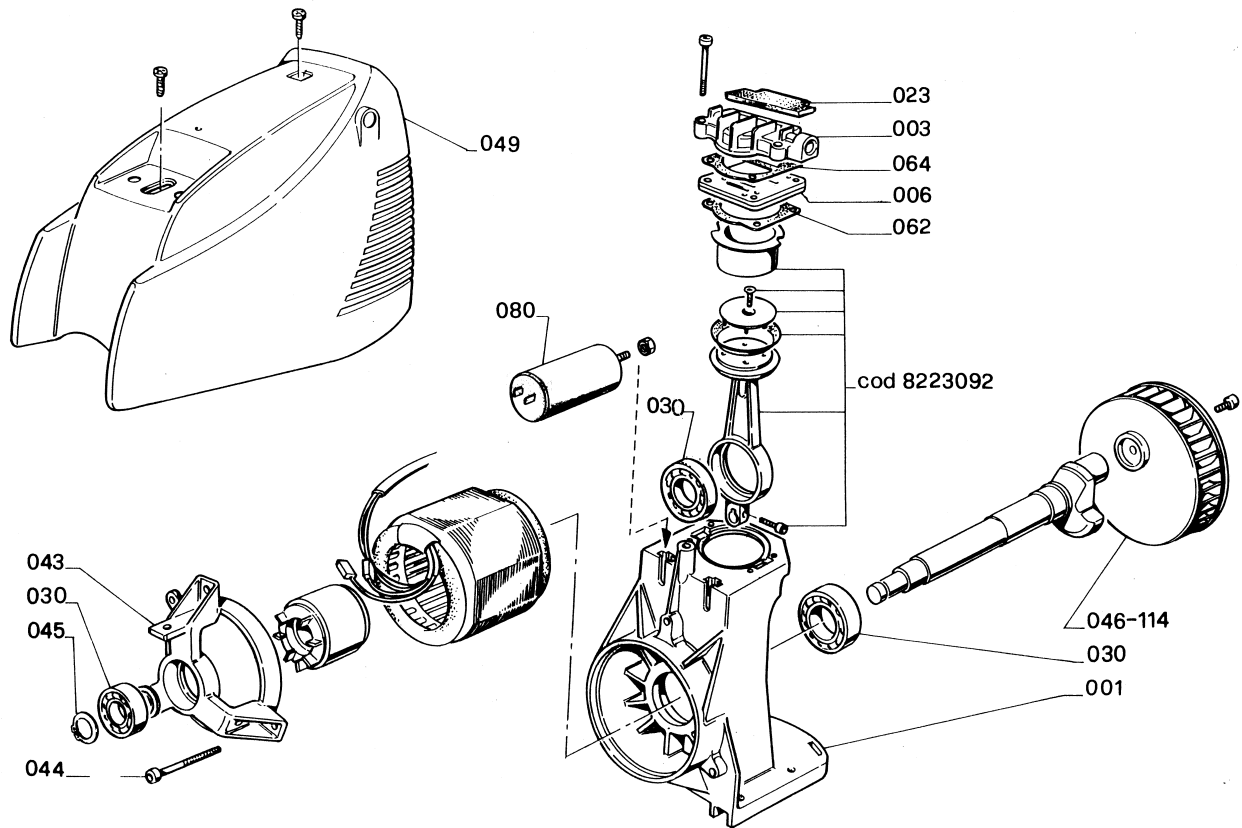
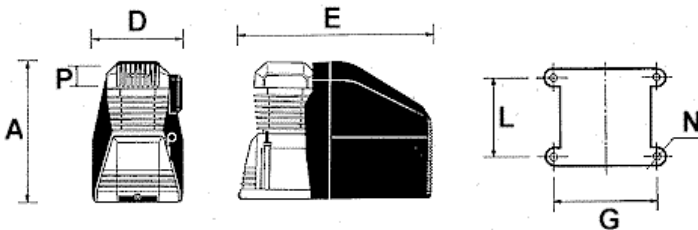


Code: 00 0300000

OL 231 - 230V 50Hz 2HP



Dimensions:



In mm

A	B	C	D	E	F	G	L	M	N	P
285	/	/	190	390	/	139	64	/	9	3/8" F

Box Weight: 10 Kg Box Dimensions: W x D x L: 201 x 401 x 327

Tightening Torques, Cylinder Head:

Bolt Size:	M6
Min Torque:	9.3 Nm
Max Torque:	11.36 Nm

Technical Data:

Cylinders:	1	
Stages:	1	
Air Flow:	230 L/min	8.1 cfm
Power:	1.5 Kw	2 HP
Speed:	2850 rpm	
Max Pressure:	8 Bar	116 psi

Code: 00 0300000

OL 231 - 230V 50Hz 2HP



<i>Svc</i>	<i>Ref</i>	<i>Code</i>	<i>Description</i>	<i>Qty</i>	<i>Modified</i>
<input type="checkbox"/>	001	00 0361101	Crankase	1	
<input type="checkbox"/>	003	00 7161400	Pump head	1	
<input checked="" type="checkbox"/>	006	00 0540051	Valve plate assy.	1	
<input checked="" type="checkbox"/>	023	00 7181100	Filter	1	
<input type="checkbox"/>	030	00 9170085	Bearing	1	
<input type="checkbox"/>	030	00 9170091	Bearing	1	
<input type="checkbox"/>	030	00 9170097	Bearing	1	
<input type="checkbox"/>	043	00 0462200	Motor cover	1	
<input type="checkbox"/>	044	00 9011040	Motor bolts	3	
<input type="checkbox"/>	045	00 9140160	Circlip	1	
<input type="checkbox"/>	046	00 9038129	Fan	1	
<input type="checkbox"/>	049	00 830410D	Cover	1	
<input checked="" type="checkbox"/>	062	00 7350300	Cylinder - plate gasket	1	
<input checked="" type="checkbox"/>	064	00 6750400	Plate - head gasket	1	
<input type="checkbox"/>	080	00 9067026	Capacitor	1	

Svc = Service Item